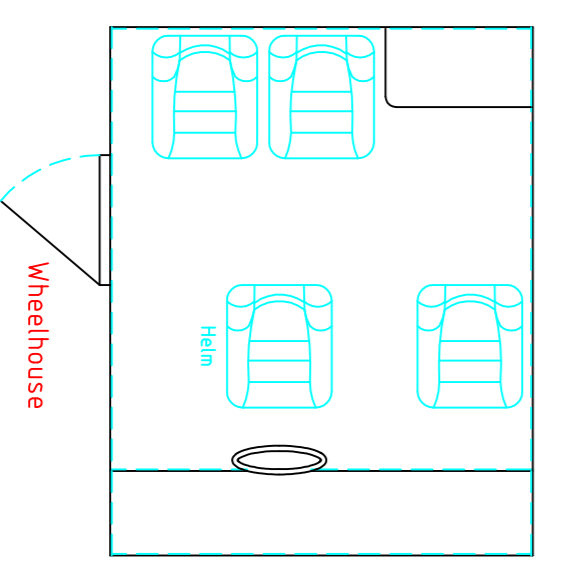
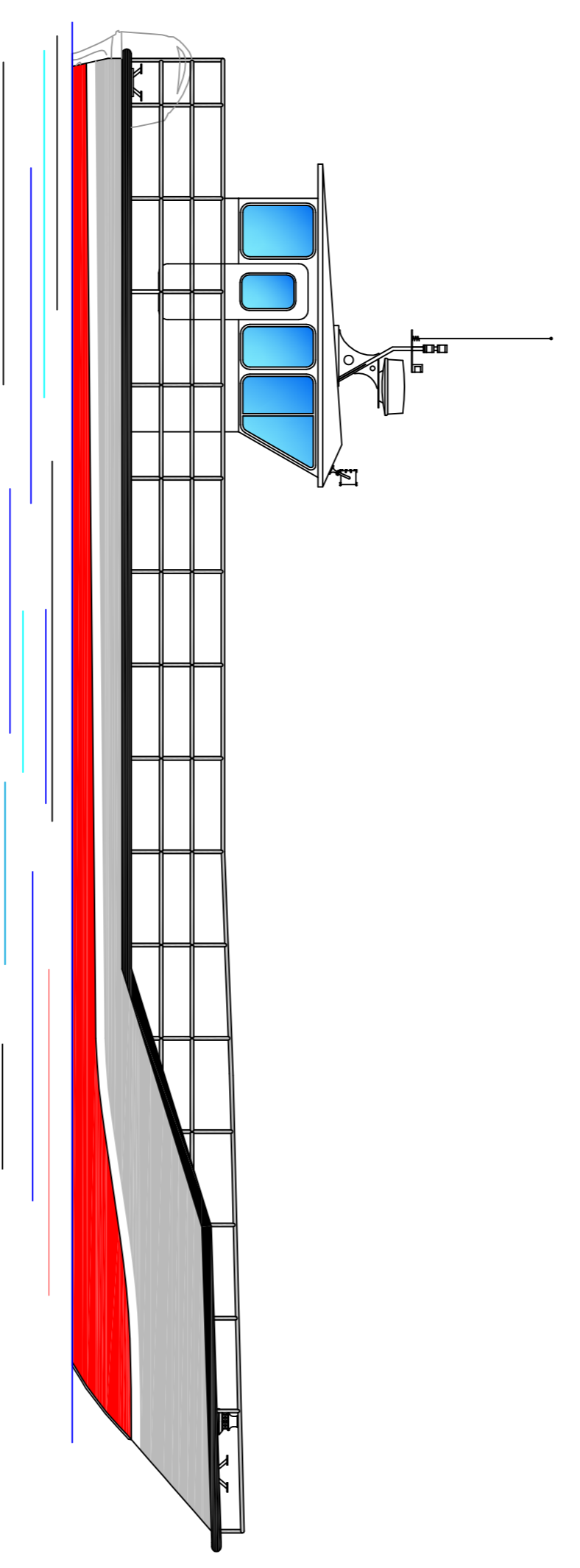
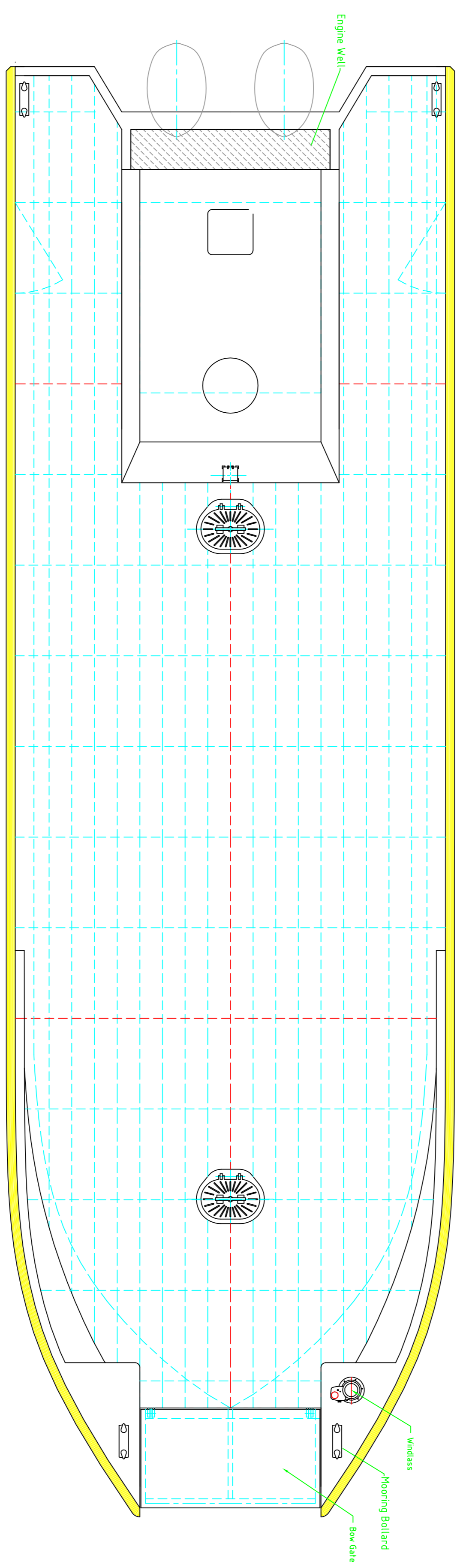
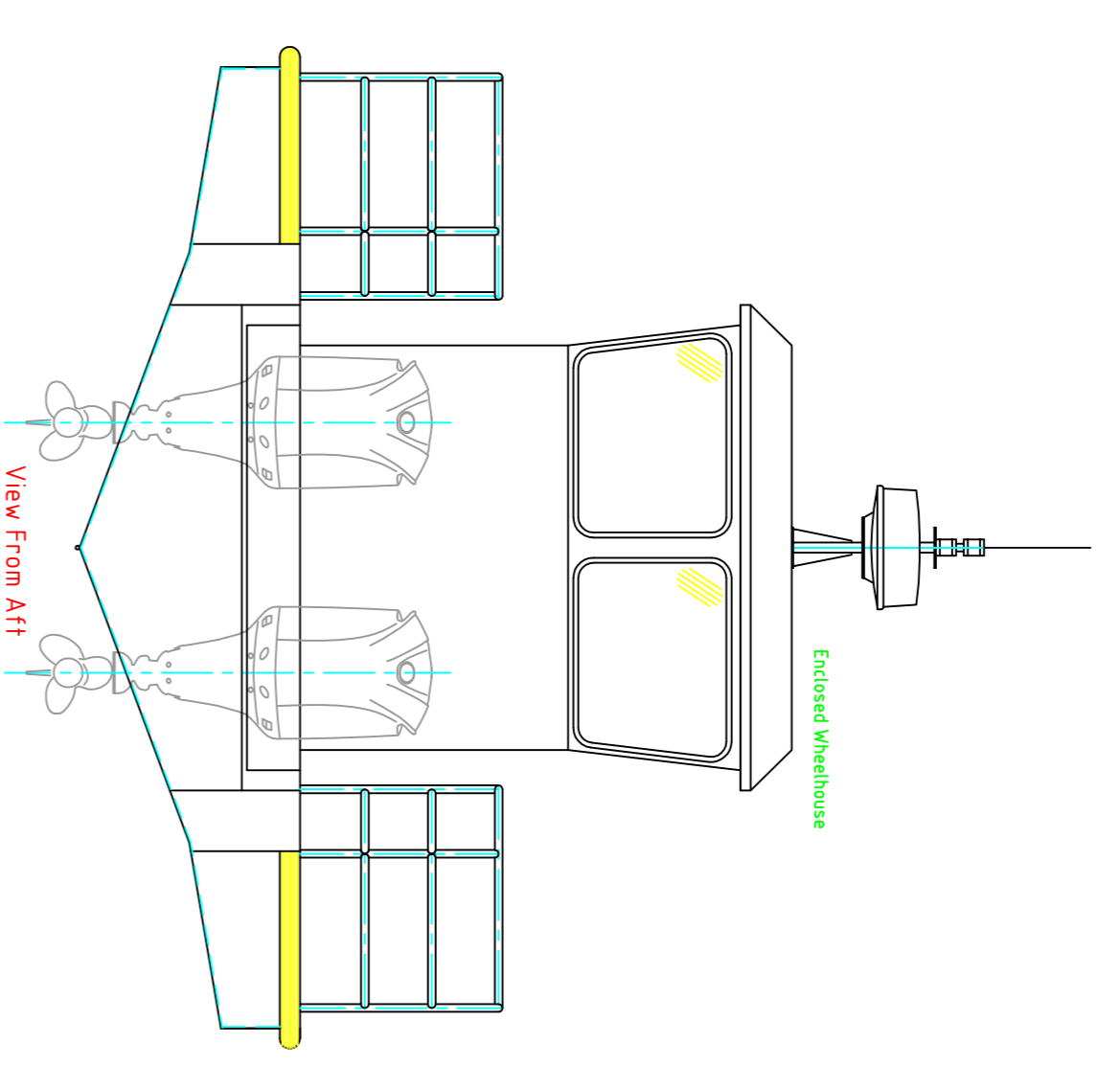
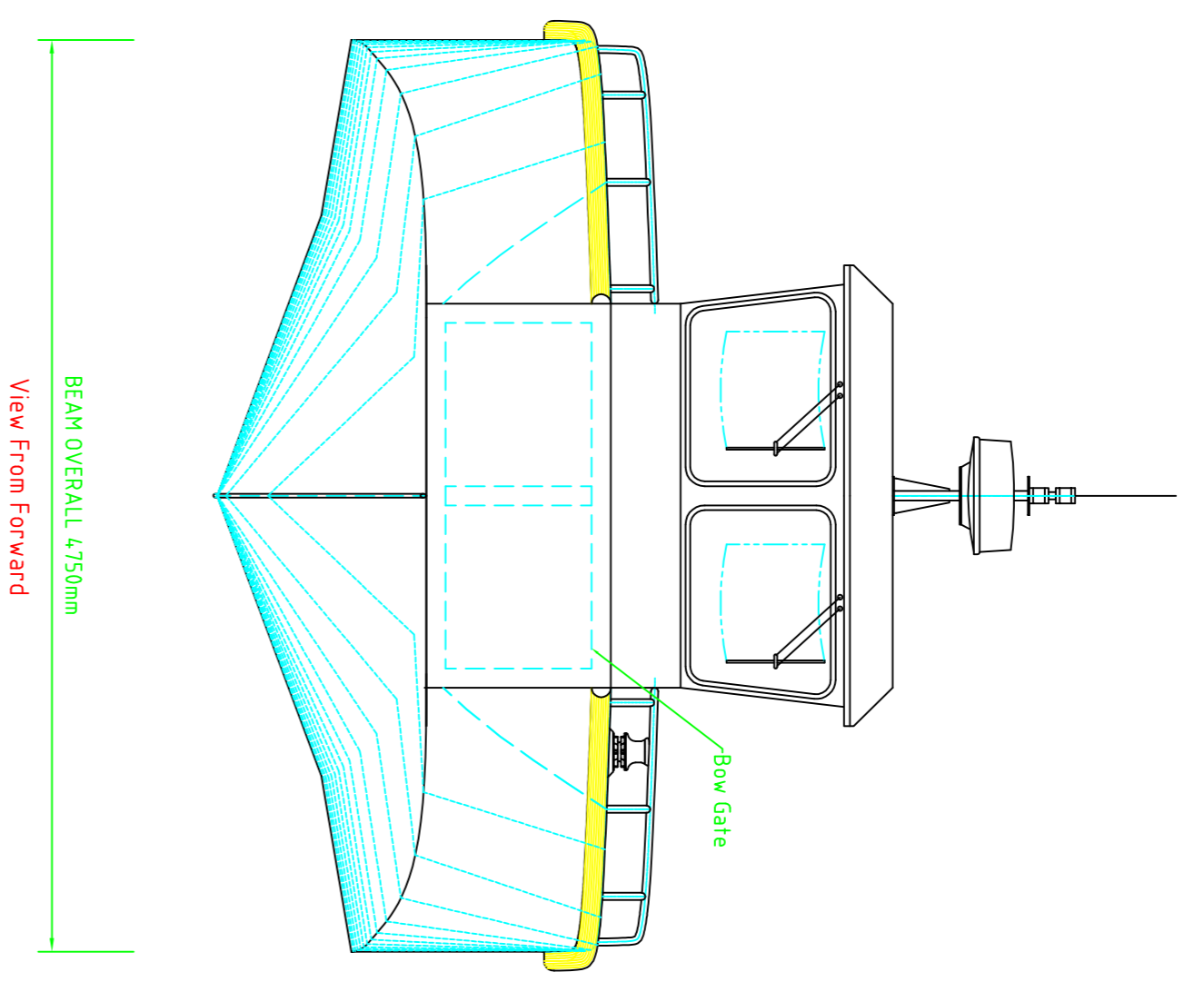
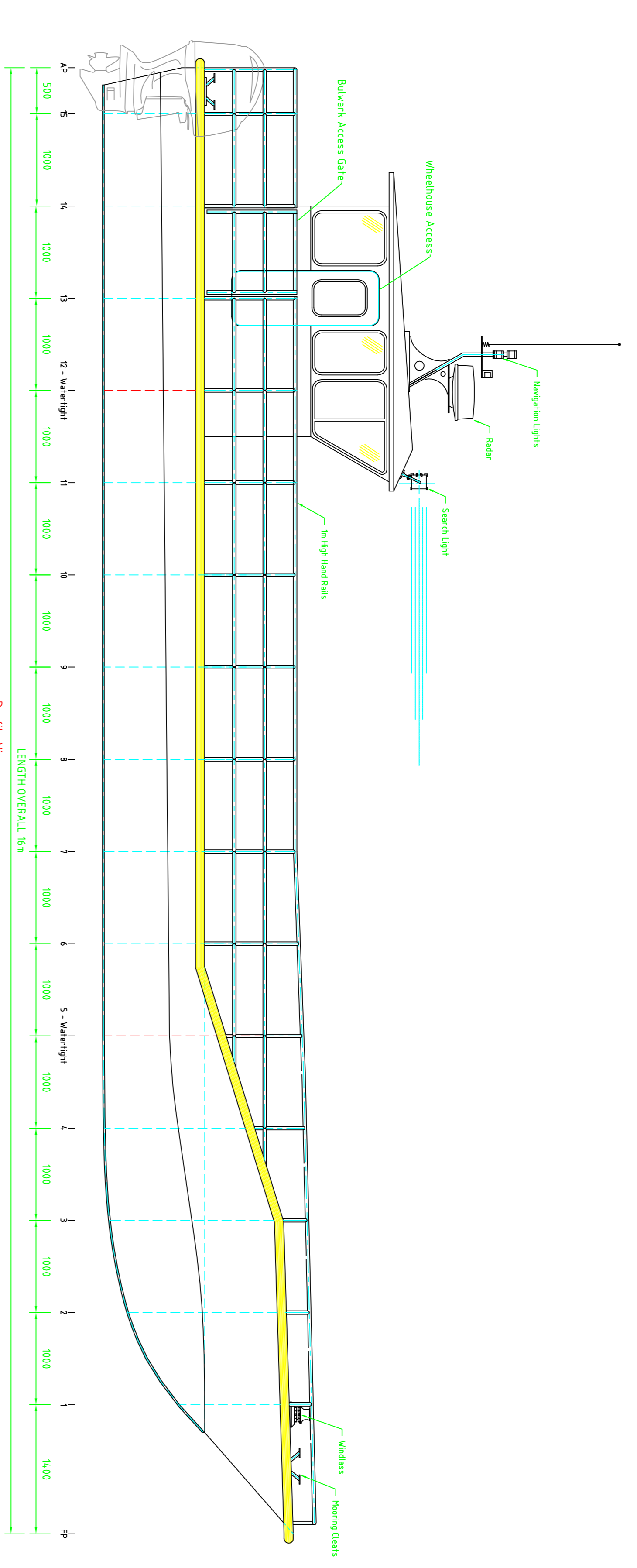


This drawing is confidential and is the property of Almaritec Ltd. It must not be reproduced, copied or disseminated in any form without the express written consent of Almaritec Ltd. All rights reserved.

Remove all burrs and sharp edges.
Fabrication, plate & structural work.
Tolerances to be as stated unless specified.

Up to 300mm	300mm to 1000mm	1000mm to 3000mm
± 0.5mm	± 0.5mm	± 1.0mm

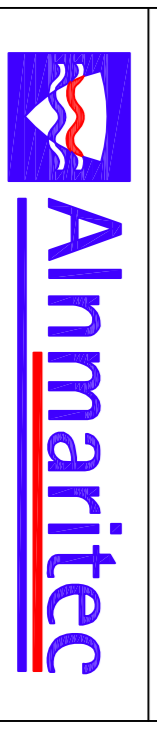


PRINCIPLE DIMENSIONS

- Length Overall 16m
- Beam Overall 4,750mm
- Draft (light) 0,40m
- Engines 2 No. Yamaha 350hp Petrol Outboards

00	13/05/11	First Issue	NP	3
Rev. Date	Rev. Description	By	Approved	
All dimensions in mm, unless stated		Ref. Project ref.	E 83977 845	
Scale : 1 : 25		Plotted at A0		

All Aluminium Fast Landing Craft
General Arrangement



Aluminium Workboats

Almaritec Ltd, Waterside Industrial Estate, Arundel, West Sussex, BN26 2NQ
Tel: 01243 824444 Fax: 01243 824444 Email: sales@almaritec.co.uk Web: www.almaritec.co.uk